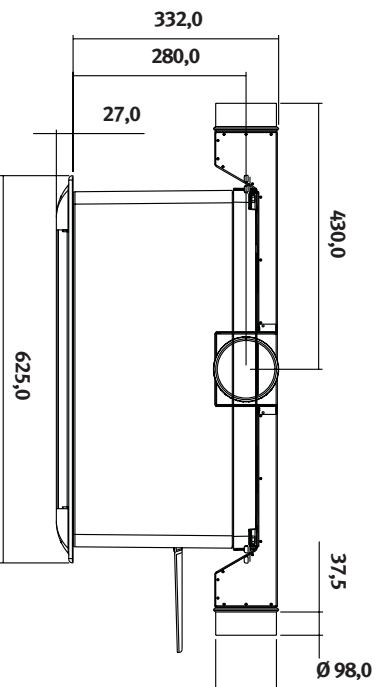


IN DELIVERY LIKE SEPARATE PART



SIDE

## BOX COMPOSITE CASSETTE

Quick and Environmentally Friendly Cooling



POS.	DESCRIPTION	BOX 100...160 AND BOX 101...161	ENGLISH
C1	Fresh air connection (Norm. Ø 100 mm)		
C2	Fresh air connection (Norm. Ø 100 mm)		
C3	Fresh air connection (Norm. Ø 100 mm)		
C4	Fresh air connection (Norm. Ø 100 mm)		
C5	Fresh air connection (Norm. Ø 100 mm)		
C6	Fresh air connection (Norm. Ø 100 mm)		
<b>Notice!</b>			
Fresh air connection adapter will be installed on site.			
Only one choice available per unit.			

	MODEL	100 / 101	120 / 121	160 / 161
Weight packed (kg)		50,6	51,4	53,0
Operation weight (kg)		53,3	55,3	56,8
Unit dimensions packed (mm)		585 x 1178	585 x 1178	585 x 1178
Fascia dimensions packed (mm)		640 x 670	640 x 670	640 x 670

DOCUMENT		CASDD100290ENVA	
Manufacturer:	Chiller Oy	Phone:	+ 358 (0)9 274 7670
Address:	Louhostie 2 Fl-04300 Tuusula Finland	Fax:	+ 358 (0)9 274 767 77
		e-mail:	chiller@chiller.fi
		www:	www.chiller.fi

