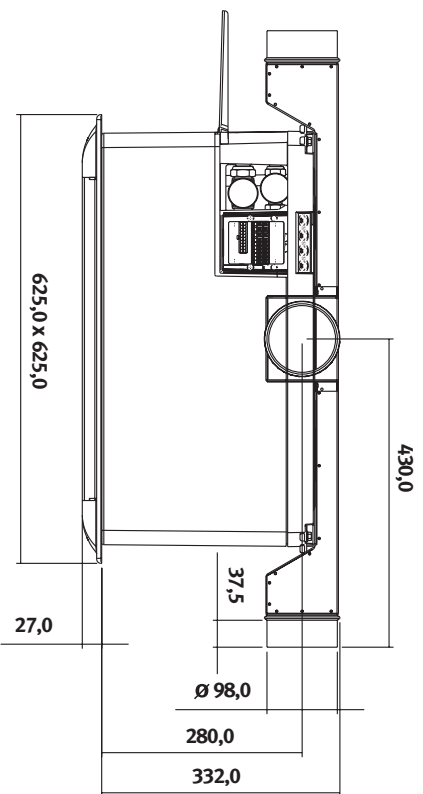


IN DELIVERY LIKE SEPARATE PART



SIDE

# BOX COMPOSITE CASSETTE

Quick and Environmentally Friendly Cooling



| POS. | DESCRIPTION                           | BOX 20...80 AND BOX 41...81 | ENGLISH |
|------|---------------------------------------|-----------------------------|---------|
| C1   | Fresh air connection (Norm. Ø 100 mm) |                             |         |
| C2   | Fresh air connection (Norm. Ø 100 mm) |                             |         |
| C3   | Fresh air connection (Norm. Ø 100 mm) |                             |         |
| C4   | Fresh air connection (Norm. Ø 100 mm) |                             |         |

**Notice!**  
Fresh air connection adapter will be installed on site.  
Only one choice available per unit.

|                               | MODEL | 20      | 40/41   | 60/61   | 80/81   |
|-------------------------------|-------|---------|---------|---------|---------|
| Weight packed (kg)            |       | 24,5    | 25,3    | 25,7    | 26,5    |
| Operation weight (kg)         |       | 25,8    | 26,8    | 27,8    | 28,6    |
| Unit dimensions packed (mm)   |       | 595x595 | 595x595 | 595x595 | 595x595 |
| Fascia dimensions packed (mm) |       | 640x670 | 640x670 | 640x670 | 640x670 |

| DOCUMENT      |   | CASDD100288EVA |                       |
|---------------|---|----------------|-----------------------|
| Manufacturer: | Chiller Oy                                  | Phone:         | + 358 (0)9 274 7670   |
| Address:      | Louhositie 2<br>Fl-04300 Tuusula<br>Finland | Fax:           | + 358 (0)9 274 767 77 |
|               |   | e-mail:        | chiller@chiller.fi    |
|               |   | www:           | www.chiller.fi        |

