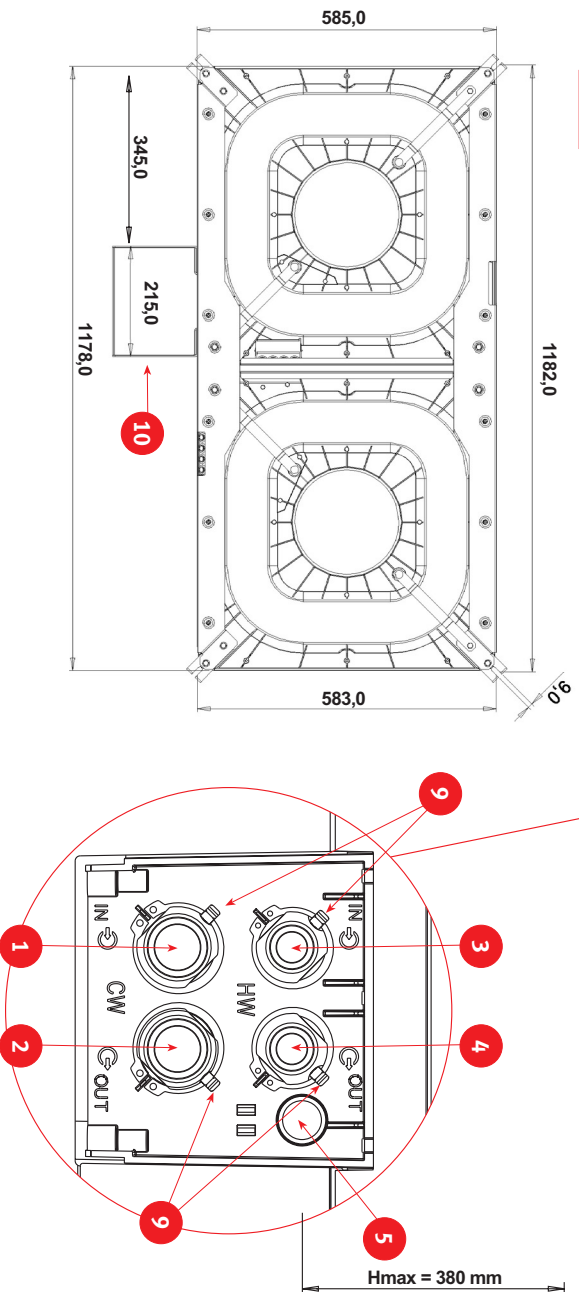
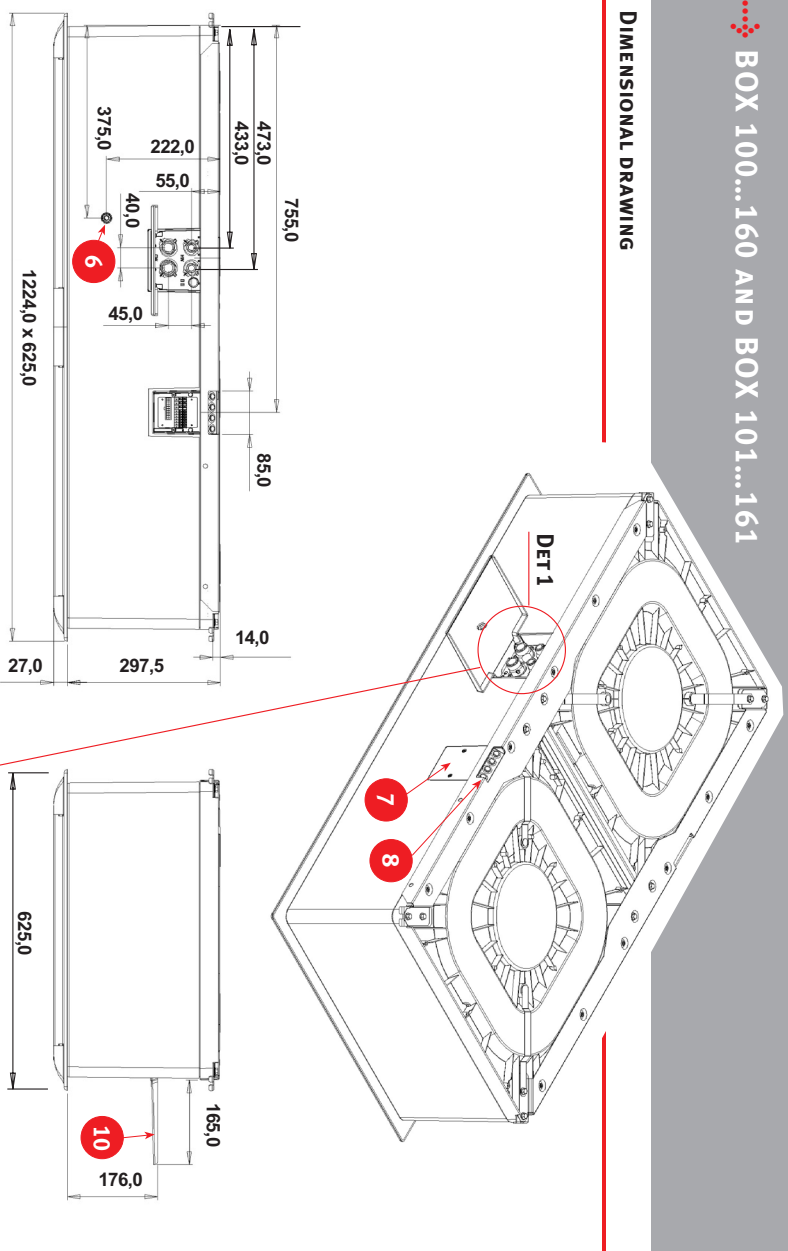


DIMENSIONAL DRAWING



BOX COMPOSITE CASSETTE

Quick and Environmentally Friendly Cooling



POS.	DESCRIPTION	BOX 100...160 AND BOX 101...161	ENGLISH
1	Cooling Water Inlet; 3/4" External thread		
2	Cooling Water Outlet; 3/4" External thread		
3	Hot Water Inlet; 1/2" External thread		
4	Hot Water Outlet; 1/2" External thread		
5	Condensate Water Outlet; Flexible hose ext. diam. 15,7 mm; Length 650 mm; Recommended max lift height is 380 mm		
6	Condensate Water Free Drainage Outlet; Joint's external diam. 9 mm (to open - cut the joint's plastic cover)		
7	Electrical Box Cover		
8	External wiring		
9	Air-vent		
10	External drain-pan		

	MODEL	100/101	120/121	160/161
Weight packed (kg)		50,6	51,4	53,0
Operation weight (kg)		53,0	55,0	56,5
Unit dimensions packed (mm)		585 x 1178	585 x 1178	585 x 1178
Fascia dimensions packed (mm)		640 x 670	640 x 670	640 x 670

DOCUMENT		CASDD100278ENA	
Manufacturer:	Chiller Oy	Phone:	+ 358 (0)9 274 7670
Address:	Louhosiite 2	Fax:	+ 358 (0)9 274 767 77
	Fl-04300 Tuusula	e-mail:	chiller@chiller.fi
	Finland	www:	www.chiller.fi

